

**FLEXI** SPHERIC BASE

ROOF / PILLAR

|                                | CONNECTOR | CABLE TYPE | CABLE LENGHT |
|--------------------------------|-----------|------------|--------------|
| P/N: 7667012 - RADIO DAB READY | DIN Male  | RG 58      | 2500 mm      |
| P/N: 7667013 - RADIO DAB READY | DIN Male  | RG 58      | 1500 mm      |

## TECHNICAL SPECIFICATION

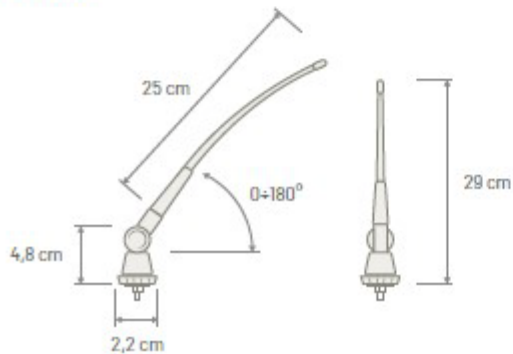
|                    | AM / FM                                 |
|--------------------|---|
| Impedance          | 50 Ω                                    |
| Gain               | --                                      |
| Rod Length         | 240 mm                                  |
| Rod Thread         | M6                                      |
| Rod Type           | Rubber - High flessibility - Heavy duty |
| Protection Class   | IP68                                    |
| Coachwork drilling | Round 9 mm                              |

## Note

To enable DAB reception an Active or Passive Splitter is needed (see SERVICE BOX chapter)



## Dimensions



## Coachwork Drilling

